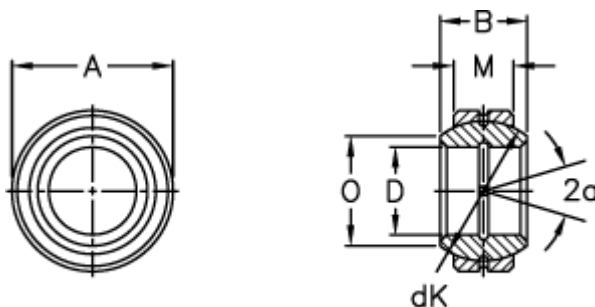


Article number: 03506035

Description: Fluro Rod end GE 35FO-2RS

Measures



Str. 6–12 uden smørerille

| | | |
|---------------------|---------------|-----------------|
| A | = 62 0 -0,013 | Tilt angle = 16 |
| B | = 35 | Weight = 380 |
| D | = 35 0 -0,012 | |
| dK | = 53 | |
| Dynamic load C (kN) | = 100 | |
| M | = 22 | |
| O | = 39.7 | |
| Static load C0 (kN) | = 500 | |